

SABRE CELL BUSTER® - FOG DELIVERY

The CELL BUSTER - MK-9 with extension wand - Technical Specifications

Height:	10.50"	26.70 cm
Diameter:	2.50"	6.50 cm
Weight:	Fog: 18.5 ozs. / 518 gr. / 555 ml	
Warranty:	5 years	
1-second bursts:	Approximately 20	
Firing Mechanism:	Pistol Grip with Safety and wand extension	
Propellant:	HFC 134a and Nitrogen	
Canister:	Seamless extruded aluminum – Rated 2Q	
Operating Temps:	0° F (-17° C) to 120° F (50° C)	

Formulation: II soluble Oleoresin Capsicum (OC) and ultraviolet marking dye. The formulation is **non-flammable** and electronic immobilization device compatible. Canisters contain an operating pressure of 100 PSI.

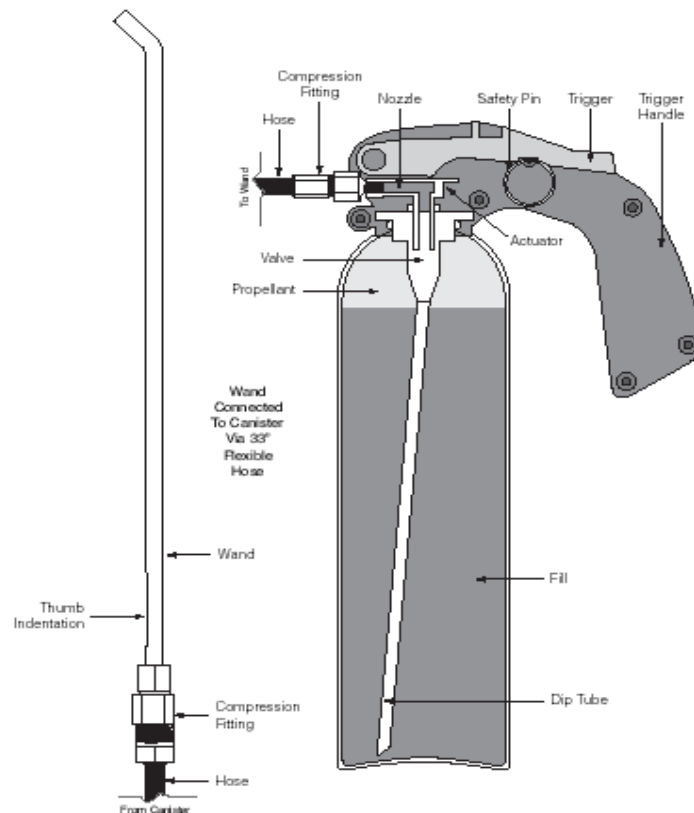
Labeling: All canisters are labeled with a protective Mylar over lamination cover which resists wear and water damage. Canisters are labeled with the shot pattern, batch number, serial number and expiration date. Individually serialized canisters permit easy identification and link to formulation batch numbers for quality assurance tracking.

Quality Control: Manufacturer maintains quality control system in accordance with the American National Standards Institute (ANSI) for the following:

Operation Test	Discharge Duration Test
Temperature Cycle Test	Operating Weight Test
One Year Time Leakage Test	Pressure Vessel Test
Hydrostatic Pressure Test	Gasket Dependability Test
Intermittent Discharge Test	High Temperature Exposure Test

Federal Regulations: The manufacturer certifies that all units comply with the following:

29 CFR 1910	Occupational Safety And Health Standards	AOAC 995.03	Oleoresin Capsicum Assay
16 CFR 1500.41	Test for skin irritant	16 CFR 1500.130	Labeling of self pressurized canisters
16 CFR 1500.45	Test method for determining flammability of contents of self pressurized canisters	16 CFR 1500.42	Test for eye irritant
		16 CFR 1500.3	Acute Inhalation Toxicity Study



	Training			Level III Formula		
	SABRE® Inert			SABRE Red®		
Model #	90H2O60-W	90H2O60-A	90WH	920060-W	920060-A	92WH
Description	Inert Cell Buster	Canister and Assembly, no hose or wand	Hose and wand attachment only	Cell Buster	Canister and Assembly, no hose or wand	Hose and wand attachment only
Delivery	Fogger	Fogger		Fogger	Fogger	
Range (Ft/Mtrs)	12-15/4-5	12-15/4-5		12-15/4-5	12-15/4-5	
Active Ingrid	NA	NA		10% OC	10% OC	
SHU's	NA	NA		2,000,000	2,000,000	
Scoville Content	NA	NA		200,000	200,000	
Capsaicinoids	NA	NA		1.33%*	1.33%*	

* AOAC Official Method 995.03 Capsaicinoids in Capsicums and Their Extractives, Liquid Chromatographic Method (HPLC). Security Equipment Corporation uses AOAC Method 995.03 because it is the preferred method of the Environmental Protection Agency and the U.S. Federal Government.