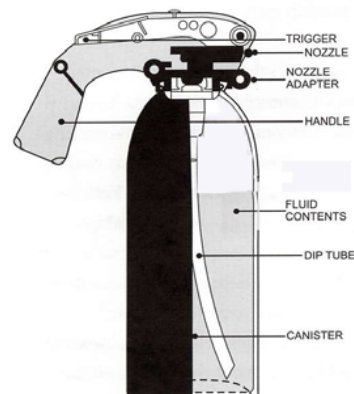


# SABRE H2O WATER BASED SERIES - STREAM & FOAM DELIVERY

## MK-9x Technical Specifications

Updated: 1/2011

Height:	9.25"	23.50 cm
Diameter:	2.50"	6.50 cm
Weight:	12.0 oz. / 336 gr. / 360 ml	
Warranty:	5 years	
1-second bursts:	Stream: 7 / Foam: 10	
Firing Mechanism:	Pistol Grip Handle with Safety Pin	
Propellant:	Stream - Nitrogen / Foam - 134a & Nitrogen	
Canister:	Seamless extruded aluminum – Rated 2Q	
Operating Temps:	-20° F (-29° C) to 120° F (50° C)	



**Formulation:** Water soluble Oleoresin Capsicum (OC) and ultraviolet making dye. The formulation is **non-flammable** and electronic immobilization device compatible. Each canister is stabilized and contains an operating pressure of 140 PSI.

**Labeling:** All canisters are labeled with a protective Mylar over lamination cover which resists wear and water damage. Canisters are labeled with the shot pattern, batch number, serial number and expiration date. Individually serialized canisters permit easy identification and link to formulation batch numbers for quality assurance tracking.

**Quality Control:** Manufacturer maintains quality control system in accordance with the American National Standards Institute (ANSI) for the following:

Operation Test	Discharge Duration Test	Intermittent Discharge Test	High Temperature Exposure Test
Temperature Cycle Test	Operating Weight Test	Gasket Dependability Test	Hydrostatic Pressure Test
One Year Time Leakage Test	Pressure Vessel Test		

**Federal Regulations:** The manufacturer certifies that all units comply with the following:

29 CFR 1910	Occupational Safety And Health Standards	AOAC 995.03	Oleoresin Capsicum Assay
16 CFR 1500.41	Test for skin irritant	16 CFR 1500.130	Labeling of self pressurized canisters
16 CFR 1500.45	Test method for determining flammability of contents of self pressurized canisters	16 CFR 1500.42	Test for eye irritant
		16 CFR 1500.3	Acute Inhalation Toxicity Study

	Training		Level I Formula			Level II Formula			Level III Formula		
	SABRE Inert®		SABRE Defense®		SABRE 5.5®	SABRE 5.0®		SABRE CS®	SABRE Red®		SABRE®
Model #	90H2O50	90H2O50-F	91H2O50	91H2O50-F		96H2O50	96H2O50-F		92H2O50	92H2O50-F	
Delivery	Stream	Foam	Stream	Foam		Stream	Foam		Stream	Foam	
Range (Ft/Mtrs)	20-25/7-8	12-15 / 4-5	20-25/7-8	12-15 / 4-5		20-25/7-8	12-15 / 4-5		20-25/7-8	12-15 / 4-5	
Active Ingrid	NA		10% OC			5% OC			10% OC		
SHU's	NA		500,000			2,000,000			2,000,000		
Scoville Content	NA		50,000			100,000			200,000		
Capsaicinoids	NA		0.33%*			0.67%*			1.33%*		

\* AOAC Official Method 995.03 Capsaicinoids in Capsicums and Their Extractives, Liquid Chromatographic Method (HPLC). Security Equipment Corporation uses AOAC Method 995.03 because it is the preferred method of the Environmental Protection Agency and the U.S. Federal Government.