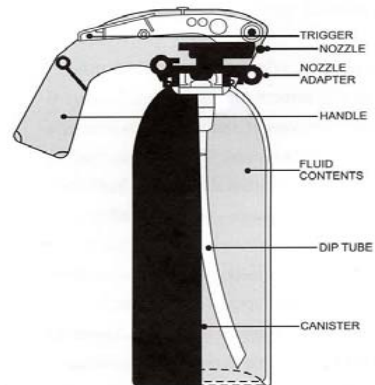


SABRE PHANTOM[®] - EVAPORATING DELIVERY

MK-9x Technical Specifications

Updated: 1/2011

| | | |
|-------------------|---------------------------------------|----------|
| Height: | 9.25" | 23.50 cm |
| Diameter: | 2.50" | 6.50 cm |
| Weight: | 13.0 oz. / 364 gr. / 390 ml | |
| Warranty: | 5 years | |
| 1-second bursts: | 9 | |
| Time to Empty: | 7 seconds | |
| Firing Mechanism: | Pistol Grip Handle with Safety Pin | |
| Propellant: | HFC 134a | |
| Canister: | Seamless extruded aluminum – Rated 2Q | |
| Operating Temps: | 0° F (-17° C) to 120° F (50° C) | |



Formulation: Oil soluble Oleoresin Capsicum (OC) and ultraviolet marking dye. The formulation is **non-flammable** and electronic immobilization device compatible. Canisters contain an operating pressure of 100 PSI.

Labeling: All canisters are labeled with a protective Mylar over lamination cover which resists wear and water damage. Canisters are labeled with the shot pattern, batch number, serial number and expiration date. Individually serialized canisters permit easy identification and link to formulation batch numbers for quality assurance tracking.

Quality Control: Manufacturer maintains quality control system in accordance with the American National Standards Institute (ANSI) for the following:

| | | | |
|----------------------------|-------------------------|-----------------------------|--------------------------------|
| Operation Test | Discharge Duration Test | Intermittent Discharge Test | High Temperature Exposure Test |
| Temperature Cycle Test | Operating Weight Test | Gasket Dependability Test | Hydrostatic Pressure Test |
| One Year Time Leakage Test | Pressure Vessel Test | | |

Federal Regulations: The manufacturer certifies that all units comply with the following:

| | | | |
|----------------|--|-----------------|--|
| 29 CFR 1910 | Occupational Safety And Health Standards | AOAC 995.03 | Oleoresin Capsicum Assay |
| 16 CFR 1500.41 | Test for skin irritant | 16 CFR 1500.130 | Labeling of self pressurized canisters |
| 16 CFR 1500.45 | Test method for determining flammability of contents of self pressurized canisters | 16 CFR 1500.42 | Test for eye irritant |
| | | 16 CFR 1500.3 | Acute Inhalation Toxicity Study |

| | Training | | Level I Formula | | Level II Formula | | Level III Formula | |
|------------------|--------------------------|----------------------------|------------------------|------------------------|-----------------------|------------------------|--------------------|--|
| | SABRE Inert [®] | SABRE Defense [®] | SABRE 5.5 [®] | SABRE 5.0 [®] | SABRE CS [®] | SABRE Red [®] | SABRE [®] | |
| Model # | 90PTM50 | | | 96PTM50 | | | | |
| Delivery | Evaporating Fog | | | Evaporating Fog | | | | |
| Range (Ft/Mtrs) | 20-25 / 6.5-8.5 | | | 20-25 / 6.5-8.5 | | | | |
| Active Ingrid | NA | | | 5% OC | | | | |
| SHU's | NA | | | 2,000,000 | | | | |
| Scoville Content | NA | | | 100,000 | | | | |
| Capsaicinoids | NA | | | 0.67%* | | | | |

* AOAC Official Method 995.03 Capsaicinoids in Capsicums and Their Extractives, Liquid Chromatographic Method (HPLC). Security Equipment Corporation uses AOAC Method 995.03 because it is the preferred method of the Environmental Protection Agency and the U.S. Federal Government.